

WH 2400

Alluminium alloy structure

Ratio 38:1 - Reduction unit with worm wheel and irreversible worm-screw.

(Reverse motion is possible only when the operator acts on the relevant controls, therefore no brake is required).

Manual clutch for drum engagement – disengagement

Direct line pull force (as measured by spring scale gauge): 2400 kg at the 1st rope layer

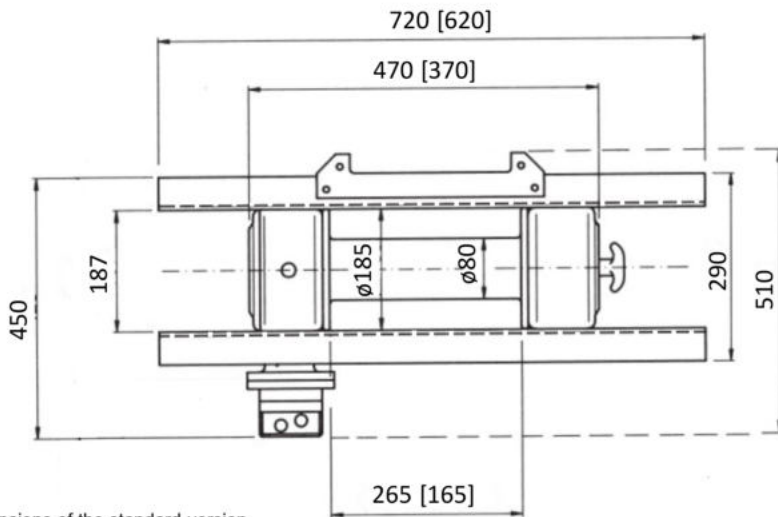
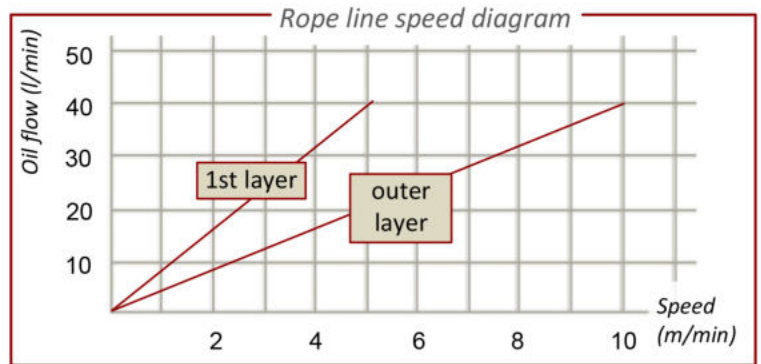
Towing capacity: 7200 kg at the 1st rope layer

Recommended rope length: ø8mm max 45m+70m , depending on the drum version

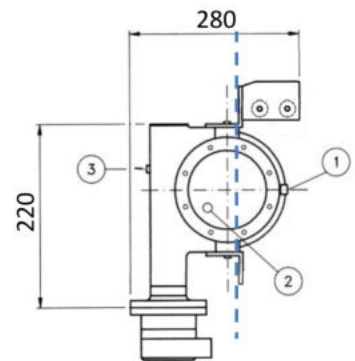
Zinc-plated steel fairlead rollers

Total weight w/out rope: 38 kg

Max P (relief valve adj.): 140 bar
Suggested flow to motor: 40 l/min



Dimensions of the standard version
[dimensions of the short-drum version]



- ① Oil filling plug
- ② Oil level plug
- ③ Oil emptying plug

ROPE LAYER	DIRECT LINE PULL	TOWING CAPACITY *	ROPE LENGTH
1°	2420 kg	7260 kg	8,32 m
2°	2020 kg	6060 kg	18,31 m
3°	1720 kg	5160 kg	29,96 m
4°	1520 kg	4560 kg	43,27 m
5°	1340 kg	4020 kg	58,25 m
6°	1100 kg	3300 kg	74,89 m
Max capacity of spooled rope: 70m ø8mm [45m]			

* = Pulling capacity (estimated weight of the vehicle to be towed on a flat surface, free wheels)
uses to be about 3 times as the direct line pull as measured by spring scale.